



JOHN POMP

CALLA CHANDELIER

CALLA CHANDELIER

MODEL NO JPSCCH-01

Hand-blown, sculpted glass crystal pieces suspended from an adjustable solid brass armature.

AS SHOWN (IN PHOTO)

6 glass pieces, 3 tiers - approx. dimensions 70"L x 52"W* x 12"H
Glass - smoke with iridescence
Metal - oil rubbed blackened steel

DIMENSIONS

Available in three sizes:

4 glass pieces, 2 tiers - approx. dimensions 60"L x 48"W* x 9"H
6 glass pieces, 3 tiers - approx. dimensions 70"L x 52"W* x 12"H
8 glass pieces, 4 tiers - approx. dimensions 80"L x 66"W* x 14.5"H

**Arms can be rotated around center, allowing the fixture to be displayed in various arrangements, which will affect the overall width.*

Glass - large approx. 12"W x 9"D x 3"H
small approx. 9"W x 7"D x 3"H

Glass dimensions may vary slightly due to sculpted process

ELECTRICAL

6w incandescent bulb per socket included

AVAILABLE FINISHES

Glass - see glass finish list

Metal - satin brass (standard), oxidized brass, satin nickel, oil rubbed blackened steel or light oil rubbed blackened steel

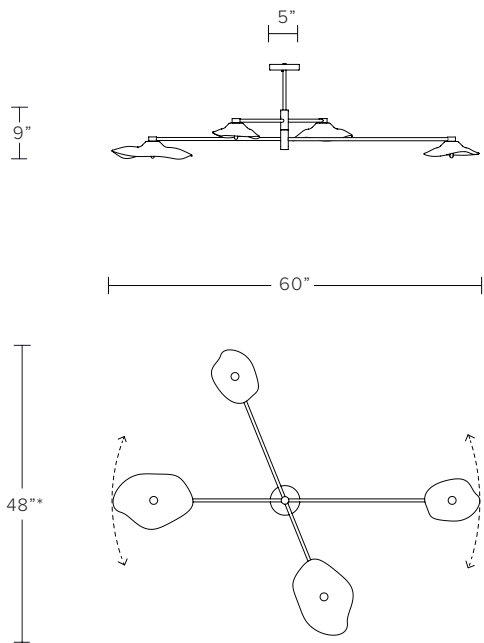
ADDITIONAL NOTES

Lead time is 10-12 weeks, additional 2-3 weeks for premium glass colors.

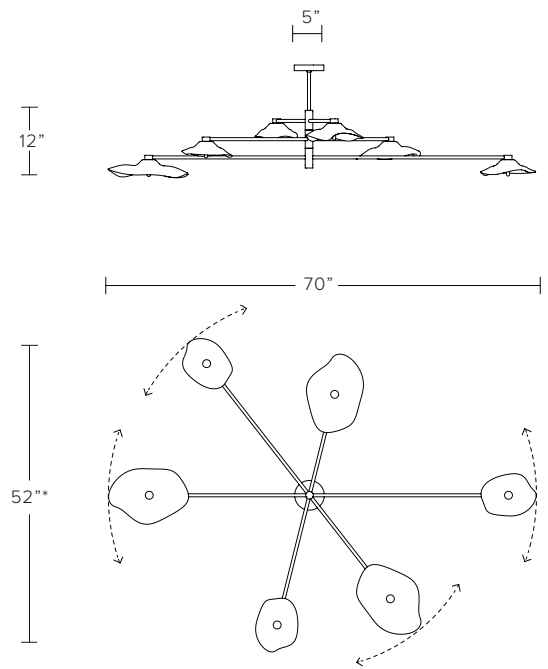
Includes studio mark. UL listed.



4 PIECE, 2 TIER 60"L X 48"W* X 9"H



6 PIECE, 3 TIER 70"L X 52"W* X 12"H



8 PIECE, 4 TIER 80"L X 66"W* X 14.5"H

