



©2020 JOHN POMP STUDIOS (U.S. PATENT NO. D862,767)



JOHN POMP

CALLA MOBILE

CALLA MOBILE

MODEL NO JPSCM-01

Hand-blown, sculpted glass crystal pieces balanced from solid brass mobile

AS SHOWN (IN PHOTO)

9 glass pieces - approx. dimensions 120"L x 84"W
Glass - clear with iridescence
Metal - oxidized brass

DIMENSIONS

Available in four sizes:

3 glass pieces - approx. dimensions 60"L x 36"W
5 glass pieces - approx. dimensions 84"L x 48"W
7 glass pieces - approx. dimensions 108"L x 60"W
9 glass pieces - approx. dimensions 120"L x 84"W

Glass - 12"W x 9"D x 3"H

Glass dimensions may vary slightly due to sculpted process

ELECTRICAL

6w incandescent bulb per socket included

AVAILABLE FINISHES

Glass - see glass finish list
Metal - satin brass (standard), oxidized brass, satin nickel, oil rubbed blackened steel or light oil rubbed blackened steel

ADDITIONAL NOTES

Lead time is 10-12 weeks, additional 2-3 weeks for premium glass colors.

Custom piece can be commissioned by artist upon request.

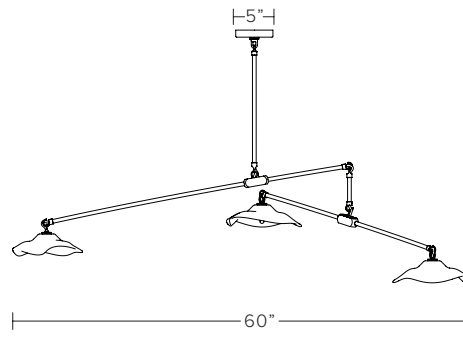
As per design intent, fixture may balance at angles different from what is shown and arms will reposition slightly if contact is made.

All dimensions listed are approximate and should be considered +/- 6".

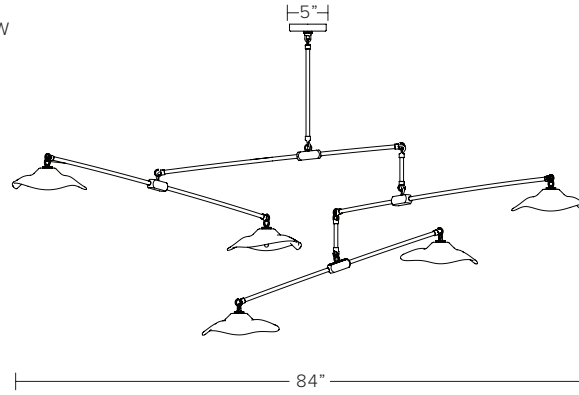
Includes studio mark. UL listed.



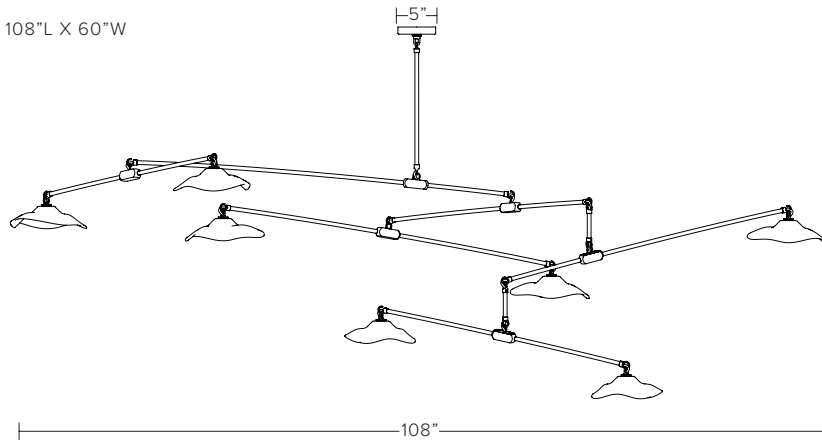
3 PIECE, 60"L X 36"W



5 PIECE, 84"L X 48"W



7 PIECE, 108"L X 60"W



9 PIECE, 120"L X 84"W

